



## **PARTS LIST**

**5" 3 Jaw**

**6" 2 Jaw**

**6" 3 Jaw**

## **DIN Style Buck Scroll Chucks**

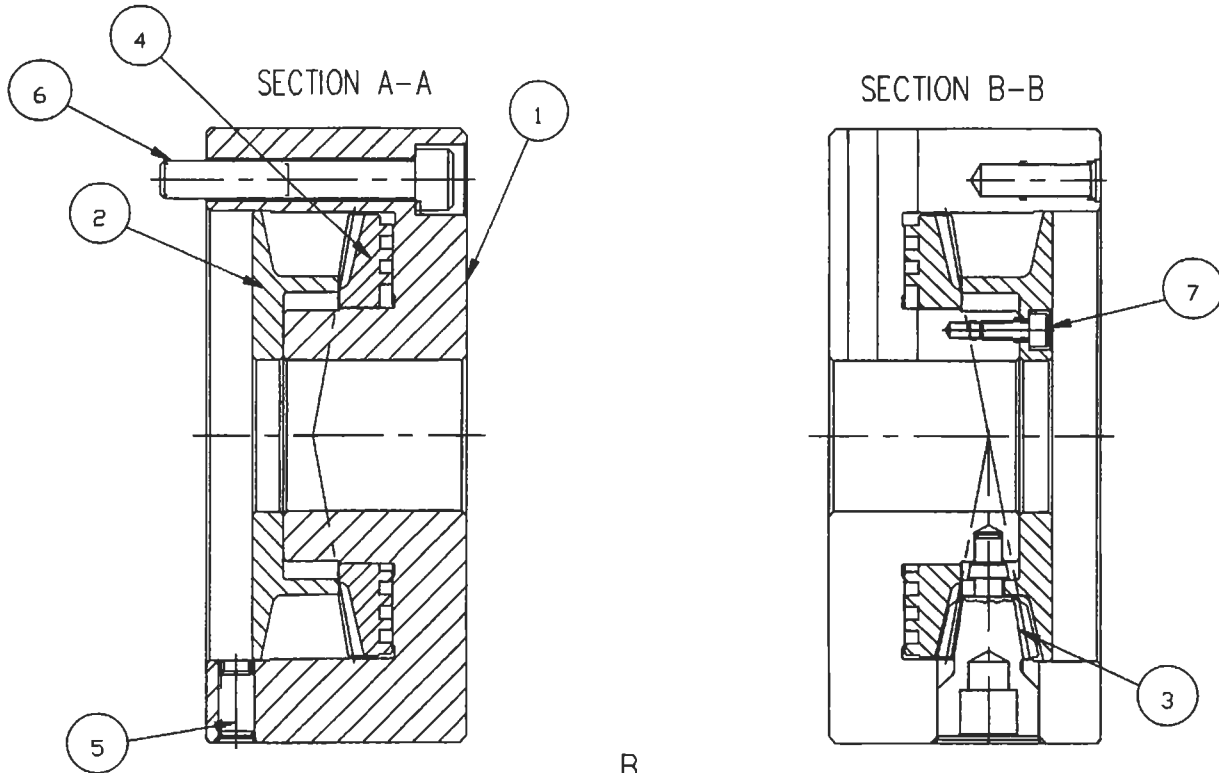
### **TO ORDER REPLACEMENT PARTS**

Please provide the following information when ordering replacement parts.

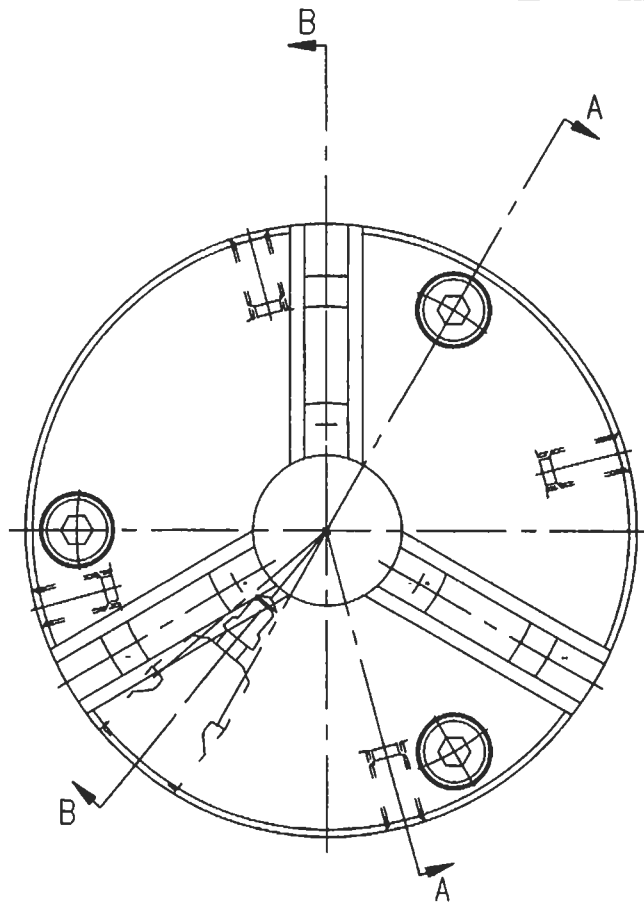
1. Manual number (PL-102)
2. Page number
3. Item number
4. Part description
5. Part number
6. Quantity of each part required
7. Specify how and where to ship

**Hardinge Inc.  
One Hardinge Drive  
P.O. Box 1507  
Elmira, New York USA 14902-1507  
Phone: (607) 734-2281 FAX: (607) 734-8819  
[www.hardinge.com](http://www.hardinge.com)**

# 5" 3 JAW CHUCK ASSEMBLY (Part Number 53 -0005405-DN)



- 8 NDT SHOWN
- 9 NDT SHOWN
- 10 NDT SHOWN

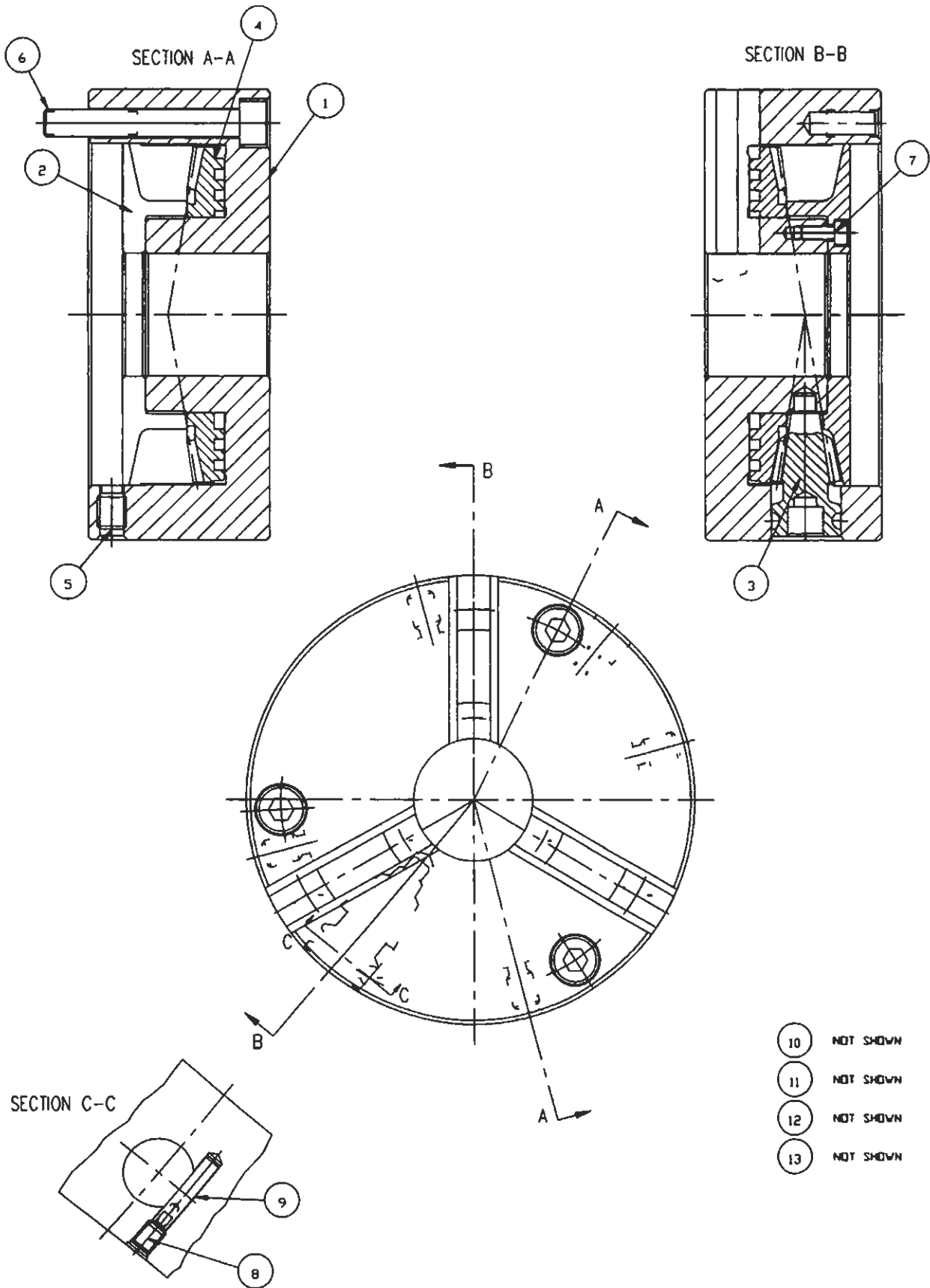


T14792

## 5" 3 JAW CHUCK PARTS LIST

Item Number	Part Number	Quantity	Description
1	No part number	1	Body
2	No part number	1	Back Plate
3	53 -0005405-DN03	1	Pinion
4	53 -0005405-DN04	1	Scroll
5	53 -0005405-DN05	4	Screw, Adjusting
6	MS0103825	3	Screw, Mounting
7	MS0103415	3	Screw, Back Plate Mounting
8	53 -0005405-DN08	1	Wrench
9	53 -0005405-DN09	3	Step Jaw, Solid Inside
10	53 -0005405-DN10	3	Step Jaw, Solid Outside

**6" 2 JAW CHUCK ASSEMBLY (Part Number 62 -0005405-DN)**  
**6" 3 JAW CHUCK ASSEMBLY (Part Number 63 -0005405-DN)**



T14793

### 6" 2 JAW CHUCK PARTS LIST

Item Number	Part Number	Quantity	Description
1	No part number	1	Body
2	No part number	1	Back Plate
3	63 -0005405-DN03	1	Pinion
4	63 -0005405-DN04	1	Scroll
5	63 -0005405-DN05	4	Screw, Adjusting
6	MS0104028	3	Screw, Mounting
7	MS0103516	3	Screw, Back Plate Mounting
8	63 -0005405-DN08	1	Set Screw, Pinion
9	63 -0005405-DN09	1	Pull Pin, Pinion
10	63 -0005405-DN10	1	Fitting, Grease
11	63 -0005405-DN11	1	Wrench
12	62 -0005405-DN12	2	Jaw, Master
13	62 -0005405-DN13	2	Jaw, Reversible Step Top

### 6" 3 JAW CHUCK PARTS LIST

Item Number	Part Number	Quantity	Description
1	No part number	1	Body
2	No part number	1	Back Plate
3	63 -0005405-DN03	1	Pinion
4	63 -0005405-DN04	1	Scroll
5	63 -0005405-DN05	4	Screw, Adjusting
6	MS0104028	3	Screw, Mounting
7	MS0103516	3	Screw, Back Plate Mounting
8	63 -0005405-DN08	1	Set Screw, Pinion
9	63 -0005405-DN09	1	Pull Pin, Pinion
10	63 -0005405-DN10	1	Fitting, Grease
11	63 -0005405-DN11	1	Wrench
12	63 -0005405-DN12	3	Jaw, Master
13	63 -0005405-DN13	3	Jaw, Reversible Step Top