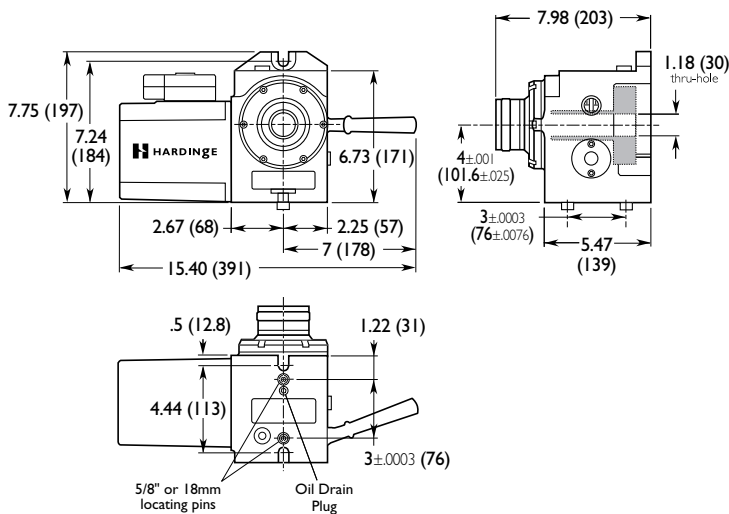


\$7,020



5C² Rotary Indexer and Servo Control...\$7,020 (reg.\$7,800)
or pay \$7,800 and get \$2,000 in free tooling*



* Limited-time offer in North America only. Cannot combine with any other Hardinge promotion and excludes previous sales. Must purchase tooling at time of order. No rollover credits. Picture of tooling above does NOT represent a value of \$2000, but indicates the type of tooling that may be used on the rotary indexer.

- Rapid indexing speed up to 360° per second
- 10 arc-sec Repeatability
- ±25 arc-sec Accuracy
- .0002" (.005mm) Maximum runout (TIR)
- Robust, dual-bearing spindle accommodates heavy axial and radial loads
- Industry compatible – same spindle centerline, foot print and tool clearance as previous Hardinge products and other US-made brands for direct replacement
- Also available in dual, triple and quad spindle configurations
- Operate with the Hardinge all-digital servo control or interface to your machine
- Uses standard 5C collets, Sure-Grip® expanding collets, step chucks and manual jaw chucks with the manual collet closer included



Register to win a FREE rotary package at IMTS.

Hardinge Inc. One Hardinge Drive | P.O. Box 1507 | Elmira, New York 14902-1507 USA

USA: 800-510.3161 or 607.378.4022 | Canada: 800-468-5946 | Fax: 607-734-3886

To Order Online: www.shophardinge.com | Corporate Homepage: www.hardinge.com | E-mail: info@hardinge.com

