



PARTS LIST
5 and 6 INCH
JAW CHUCKS
MANUFACTURED BY
THE BUCK CHUCK COMPANY
FOR
HARDINGE BROTHERS, INC.

HARDINGE BROTHERS, INC.
ELMIRA, NEW YORK 14902

- CONTENTS -

5 INCH 4-JAW INDEPENDENT CHUCK w/TAPERED SPINDLE MOUNT	2
5 INCH 4-JAW INDEPENDENT CHUCK w/THREADED SPINDLE MOUNT	2
6 INCH 4-JAW INDEPENDENT CHUCK w/TAPERED SPINDLE MOUNT	3
6 INCH 4-JAW INDEPENDENT CHUCK w/THREADED SPINDLE MOUNT	3
6 INCH 2-JAW SCROLL CHUCK w/THREADED SPINDLE MOUNT	1
6 INCH 2-JAW SCROLL CHUCK w/TAPERED SPINDLE MOUNT	1
5 INCH 3-JAW SCROLL CHUCK w/TAPERED SPINDLE MOUNT	4
5 INCH 3-JAW SCROLL CHUCK w/THREADED SPINDLE MOUNT	4
6 INCH 3-JAW SCROLL CHUCK w/TAPERED SPINDLE MOUNT	5
6 INCH 3-JAW SCROLL CHUCK w/THREADED SPINDLE MOUNT	5

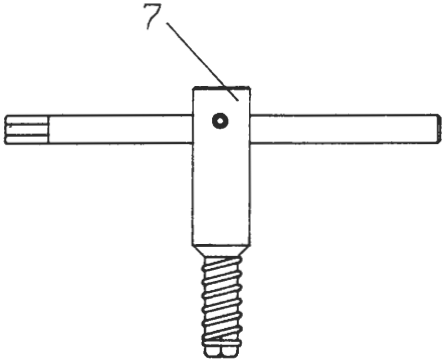
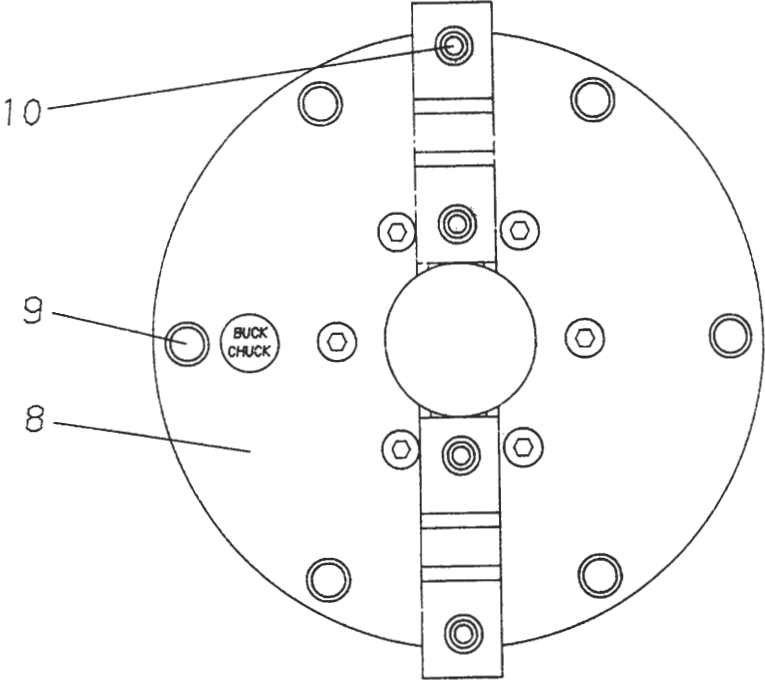
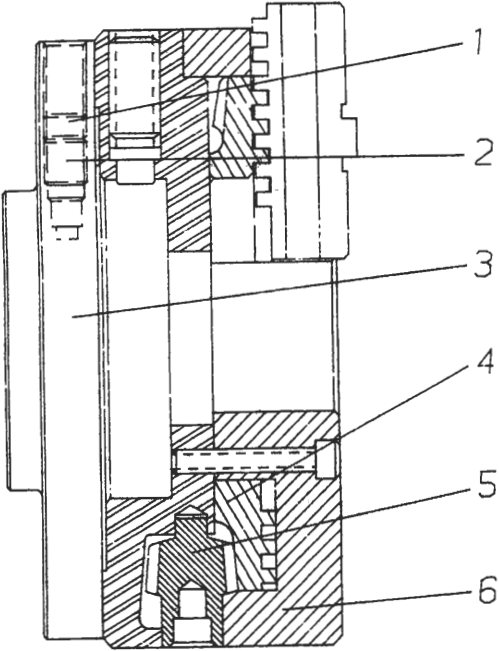
WHEN ORDERING PARTS SPECIFY:

1. CHUCK NUMBER
2. MODEL NUMBER
3. CHUCK DIAMETER
4. PART NUMBER
5. NAME OF PART
6. QUANTITY OF EACH PART
7. HOW AND WHERE TO SHIP THE PARTS

- NOTE -

The illustrations in this form are to be used for the location of parts only and may not be an exact representation of the actual part.

2-JAW SCROLL CHUCK w/ SPINDLE MOUNT



6" 2-JAW SCROLL CHUCK w/ TAPER SPINDLE MOUNT

KEY	PART NUMBER	PCS	PART NAME
1	0550912	1	Set Screw
2	5 00054052M	1	Bayonet Screw
3	6 0005405MB01	1	6" Chuck Mount, Taper
*4	62 0005405BC S	1	Scroll
*5	62 0005405BC P	1	Pinion
*6	62 0005405MJ	1	Master Jaws
	62 0005405SJ	1	Soft Blank Top Jaws
*7	63 0005405CK	1	Spring Loaded Chuck Key
8	62 0005405BC	1	6" 2-Jaw Scroll Chuck
*9	0100640	6	Chuck Mounting Screw
*10	0100810	4	Jaw Mounting Screw
--	49 0011908 B	1	Taper Nose Spindle Instructions

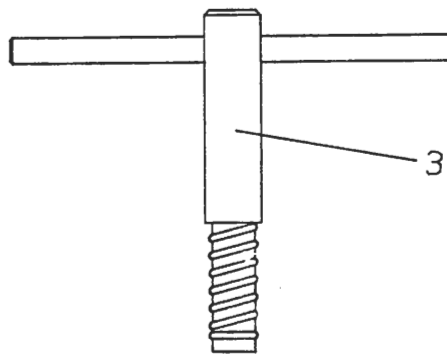
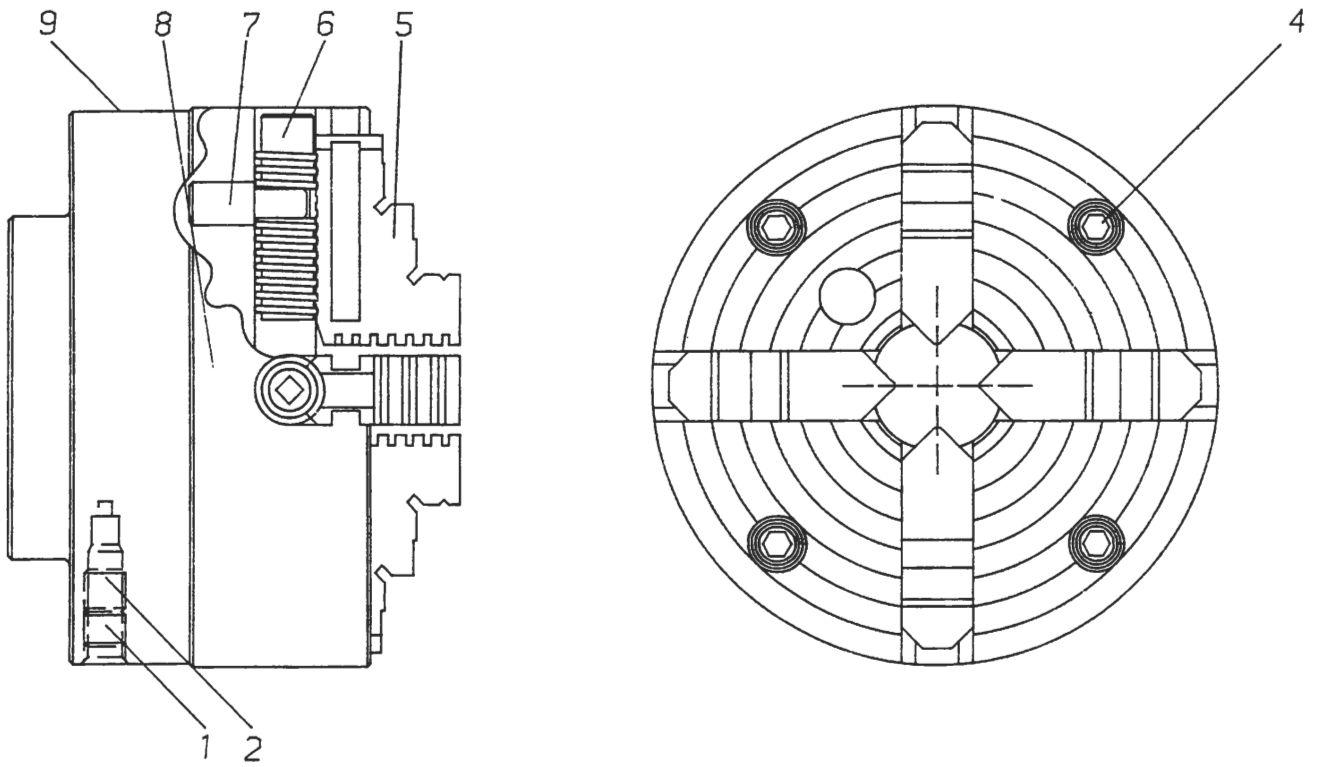
6" 2-JAW SCROLL CHUCK w/ THREADED SPINDLE MOUNT

KEY	PART NUMBER	PCS	PART NAME
3	6 0005405MB D	1	6" Chuck Mount, Threaded
*4	62 0005405BC S	1	Scroll
*5	62 0005405BC P	1	Pinion
*6	62 0005405MJ	1	Master Jaws
	62 0005405SJ	1	Soft Blank Top Jaws
*7	63 0005405CK	1	Spring Loaded Chuck Key
8	62 0005405BC	1	6" 2-Jaw Scroll Chuck
*9	0100640	6	Chuck Mounting Screw
10	0100810	4	Jaw Mounting Screw

-- Parts not shown on drawing.

* Components marked with (*) are replacement parts only.

4-JAW INDEPENDENT CHUCK w/ SPINDLE MOUNT



5" 4-JAW INDEPENDENT CHUCK w/ THREADED SPINDLE MOUNT

KEY	PART NUMBER	PCS	PART NAME
3	54 0005405 CK	1	Spring Loaded Chuck Key
*4	0100824	4	Chuck Mounting Screw
*5	54 0005405 BCRJ	1 Set	Hard Reversible Jaws
*6	54 0005405 BCSC	1	Operating Screw
*7	54 0005405 BCTB	1	Thrust Bearing
*8	54 0005405 BC	1	5" 4-Jaw Independent Chuck
9	54 0005405 MB D	1	5" Chuck Mount, Threaded
*--	54 0005405 BC W	1	Wrench
*--	54 0005405 SJ	1 Set	Soft Blank Top Jaws

5" 4-JAW INDEPENDENT CHUCK w/ TAPER SPINDLE MOUNT

KEY	PART NUMBER	PCS	PART NAME
1	0550904	1	Set Screw
2	5 0005405 2M	1	Bayonet Screw
3	54 0005405 CK	1	Spring Loaded Chuck Key
*4	0100824	4	Chuck Mounting Screw
*5	54 0005405 BCRJ	1 Set	Hard Reversible Jaws
	54 0005405 SJ	1 Set	Soft Blank Top Jaws
6	54 0005405 BCSC	1	Operating Screw
*7	54 0005405 BCTB	1	Thrust Bearing
*8	54 0005405 BC	1	5" 4-Jaw Independent Chuck
9	54 0005405 MB 01	1	5" Chuck Mount, Taper
--	49 0011908 B	1	Taper Nose Spindle Instructions
*--	54 0005405 BC W	1	Wrench

-- Not shown on drawing.

* Components marked with (*) are replacement parts only.

6" 4-JAW INDEPENDENT CHUCK w/ THREADED SPINDLE MOUNT

KEY	PART NUMBER	PCS	PART NAME
3	64 0005405 CK	1	Spring Loaded Chuck Key
*4	0100840	4	Chuck Mounting Screws
*5	64 0005405 RJ	1 Set	Hard Reversible Jaws
6	64 0005405 BC SC	1	Operating Screw
*7	64 0005405 BCT B	1	Thrust Bearing
*8	64 0005405 BC	1	6" 4-Jaw Independent Chuck
9	64 0005405 MD	1	6" 4-Jaw Chuck Mount, Threaded

6" 4-JAW INDEPENDENT CHUCK w/ TAPER SPINDLE MOUNT

KEY	PART NUMBER	PCS	PART NAME
1	0550912	1	Set Screw
2	5 0005405 2 M	1	Bayonet Screw
3	64 0005405 CK	1	Spring Loaded Chuck Key
*4	0100840	4	Chuck Mounting Screw
*5	64 0005405 RJ	1 Set	Hard Reversible Jaws
6	64 0005405 BC SC	1	Operating Screw
*7	64 0005405 BCT B	1	Thrust Bearing
*8	64 0005405 BC	1	6" 4-Jaw Independent Chuck
9	64 0005405 MB	1	6" 4-Jaw Chuck Mount, Taper
--	49 0011908 B	1	Taper Nose Spindle Instructions

-- Parts not shown on drawing.

* Components marked with (*) are replacement parts only

5" 3-JAW SCROLL CHUCK w/ TAPER SPINDLE MOUNT

KEY	PART NUMBER	PCS	PART NAME
*1	5 0005405 MB 01	1	5" Chuck Mount, Taper
2	5 0005405 2 M	1	Bayonet Screw for Taper Mount
3	0550904	1	Set Screw
*4	53 0005405 BCAS	1	Adjusting Screw
*♣5	53 0005405 IJ	1 Set	Inside Jaws
*♦5	53A 0005405 IJ	1 Set	Inside Jaws
*6	0100636	6	Chuck Mounting Screw
*7	53 0005405 BC CS	1	Chuck Screw-Front to Back
*8	53 A 0005405 BC	1	5" 3-Jaw Scroll Chuck
*♣9	53 0005405 OJ	1 Set	Outside Jaws
*♦9	53 A 0005405 OJ	1 Set	Outside Jaws
	53 0005405 SJ	1 Set	Soft Blank Top Jaws
*♣10	53 0005405 BC S	1	Scroll
*♦10	53A 0005405 BC S	1	Scroll
*11	53 0005405 BC P	1	Pinion
*12	53 0005405 CK	1	Spring Loaded Chuck Key
--	49 0011908 B	1	Taper Nose Spindle Instructions

♣ This part is used with chucks marked 2534K only.
♦ This part is used with chucks marked 2535H only.

5" 3-JAW SCROLL CHUCK w/ THREADED SPINDLE MOUNT

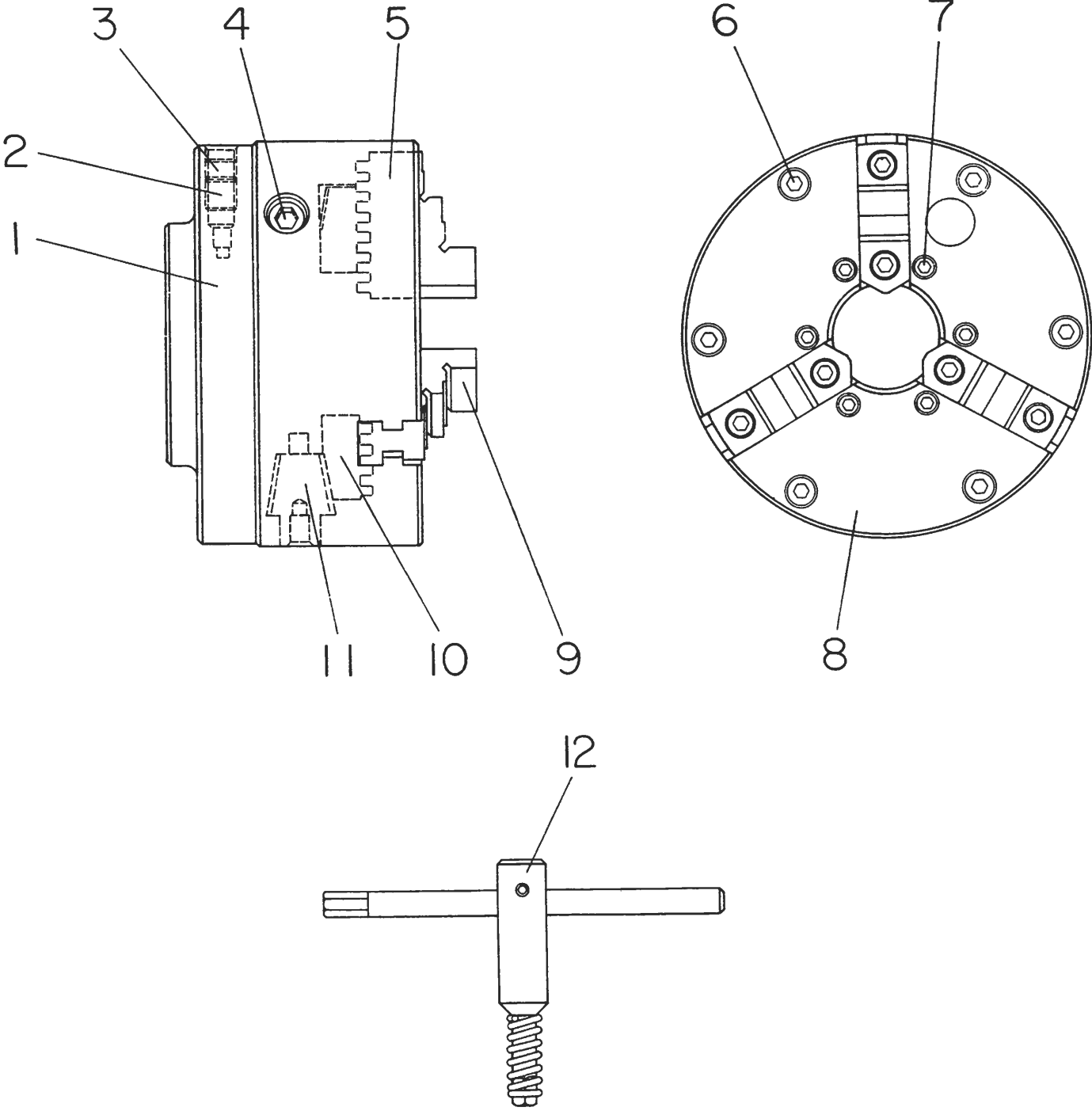
KEY	PART NUMBER	PCS	PART NAME
1	5 0005405 MB D	1	5" Chuck Mount Threaded
*4	53 0005405 BCAS	1	Adjusting Screw
*♣5	53 0005405 IJ	1 Set	Inside Jaws
*♦5	53A 0005405 IJ	1 Set	Inside Jaws
*6	0100636	6	Chuck Mounting Screw
*7	53 0005405 BC CS	1	Chuck Screw-Front to Back
*8	53 A 0005405 BC	1	5" 3-Jaw Scroll Chuck
*♣9	53 0005405 OJ	1 Set	Outside Jaws
*♦9	53 A 0005405 OJ	1 Set	Outside Jaws
	53 0005405 SJ	1 Set	Soft Blank Top Jaws
*♣10	53 0005405 BC S	1	Scroll
*♦10	53A 0005405 BC S	1	Scroll
*11	53 0005405 BC P	1	Pinion
*12	53 0005405 CK	1	Spring Loaded Chuck Key
--	53 0005405 BC PP	1	Pressure Plug

♣ This part is used with chucks marked 2534K only.
♦ This part is used with chucks marked 2535H only.

-- Parts not shown on drawing.

* Components marked with (*) are replacement parts only.

3-JAW SCROLL CHUCK w/ SPINDLE MOUNT



6" 3-JAW SCROLL CHUCK w/ TAPER SPINDLE MOUNT

KEY	PART NUMBER	PCS	PART NAME
1	6 0005405 MB 01	1	6" Chuck Mount, Taper
2	5 0005405 2M	1	Bayonet Screw
3	0550912	1	Set Screw
*5	63 0005405 MJ	1	Master Jaws
8	63 0005405 BC	1	6" 3-Jaw Scroll Chuck
*9	63 0005405 RJ	1	Hard Reversible Top Jaws
	63 0005405 SJ	1	Soft Blank Top Jaws
*10	62 0005405 BC S	1	Scroll
*11	62 0005405 BC P	1	Pinion
*12	63 0005405 CK	1	Spring Loaded Chuck Key
--	49 0011908 B	1	Taper Nose Spindle Instructions

6" 3-JAW SCROLL CHUCK w/ THREADED SPINDLE MOUNT

KEY	PART NUMBER	PCS	PART NAME
1	6 0005405 MB D	1	6" Chuck Mount, Threaded
*5	63 0005405 MJ	1	Master Jaws
8	63 0005405 BC	1	6" 3-Jaw Scroll Chuck
*9	63 0005405 RJ	1	Hard Reversible Top Jaws
	63 0005405 SJ	1 Set	Soft Blank Top Jaws
*10	62 0005405 BC S	1 Set	Scroll
*11	62 0005405 BC P	1 Set	Pinion
*12	63 0005405 CK	1	Spring Loaded Chuck Key

1

- Parts not shown on drawing.
- * Components marked with (*) are replacement parts only.